

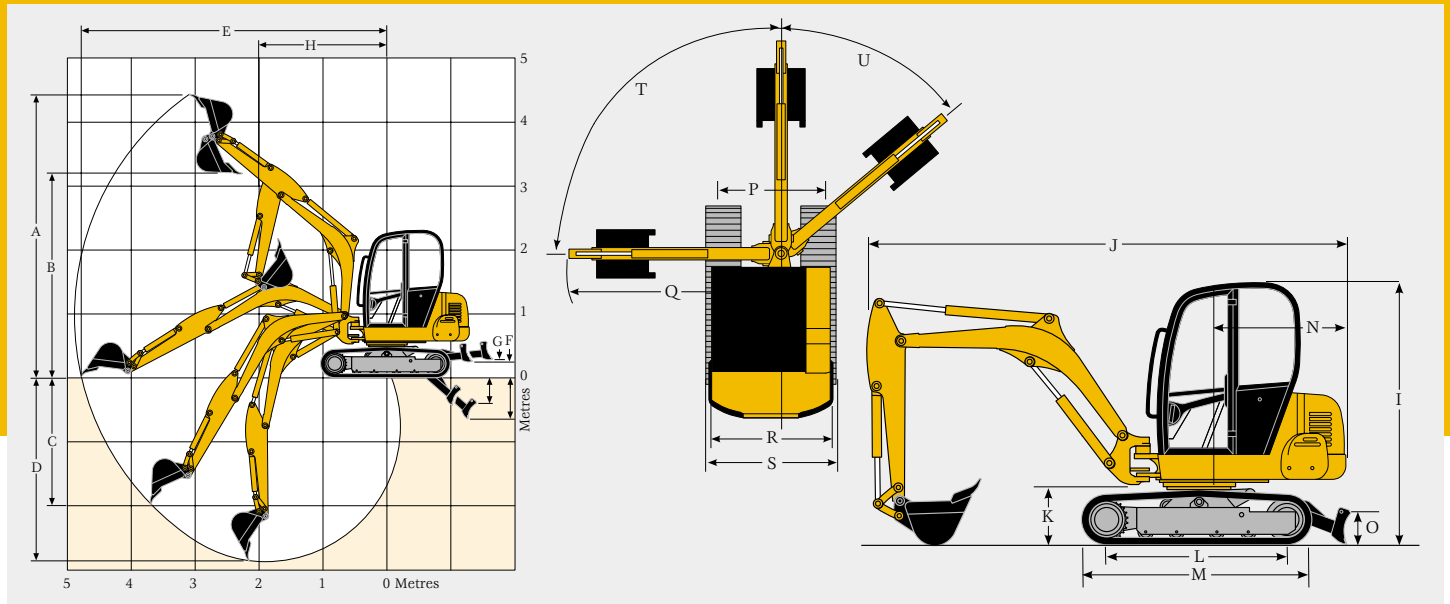


JCB 803 PLUS & SUPER

MINI EXCAVATOR



DIG DEPTH 2.78m (9ft 1in)



PERFORMANCE DIMENSIONS

803 Plus/803 Super

PERFORMANCE (Dipper)	mm	1400
A. Max dig height	mm	4361
B. Max dump height	mm	3202
C. Max vertical dig depth	mm	2137
D. Max dig depth-dozer up	mm	2778
Max dig depth-dozer down (L. Dozer)	mm	3015 (3050)
E. Max reach (ground level)	mm	4753
Bucket rotation Degrees		186°
F. Dozer cut above ground (L. Dozer)	mm	233 (307)
G. Dozer cut below ground (L. Dozer)	mm	483 (696)
H. Min. slew radius	mm	2184
I. Overall Height (trans pos)	mm	2430
J. Overall Length (trans pos)	mm	4335
K. Kingpost clearance	mm	560
L. Sprocket idler centres (Rubber)	mm	1585
M. Undercarriage length (Rubber)	mm	2030
N. Tailswing	mm	1449
O. Dozer height	mm	350
P. Dozer width	mm	1495
Q. Min slew radius(no bucket)	mm	2070
R. Superstructure width	mm	1410
S. Width over tracks	mm	1450
T. Boom swing left (limit stop installed)		90° / 70°
U. Boom swing right		50°
Max Bucket tearout Kgf. (SAE J1179)	2121	2193
Max dipper tearout Kgf. (SAE J1179)	1734	1873
Travel speeds kph 1st Gear		2
Travel speeds kph 2nd Gear		3.6
Drawbar pull	2450	2646
Slew speed rpm		9.5

SERVICE CAPACITIES

Water system capacity-cab	litre	8
Water system capacity-canopy	litre	8
Fuel tank capacity	litre	48
Engine oil capacity	litre	5
Hydraulic system capacity	litre	70
Hydraulic tank capacity	litre	48

UNDERCARRIAGE

No. of bottom rollers		4
Track width	mm	350/300
Ground pressure	kg/cm ²	0.29
Ground clearance	mm	320
Track tensioning		Grease

ENGINE

Model		103-15
Max power kW (hp)		23.9(32) @2600
Gross power kW (hp)		20.1(26.8) @2200
Net power kW (hp)		19.2(25.6) @2200
Gross torque Nm@rpm		92@2000
Net torque Nm@rpm		88@2000
Displacement		1496
Fuel injection system		Bosch
Gradeability		35°
Starter Motor		12/1.2
Battery		12/475
Alternator		55

EEC NOISE LEVELS (95/27/EC DYNAMIC)

Cab internal	dB (LpA)	78	82
Cab external	dB (LwA)	96	96
Canopy internal	dB (LpA)	79	77
Canopy external	dB (LwA)	96	96

HYDRAULICS

Pump		Triple section gear 1 Variable (2 Ports) / 1 Gear	
Nominal output	lpm	29/29/19	
Excavator/ track main relief	bar	190	207
Slew main relief	bar	172	
Auxiliary hydraulic flow		57	
Hydraulic motors		Piston	

MACHINE WEIGHTS

Operating weights:-			
1660mm dipper	kg (lb)	2987	(6721)
1400mm dipper	kg (lb)	2975	(6559)
With steel tracks	kg (lb)	+ 80.5 (177)	
With dipper of 1100mm	kg (lb)	-18 (40)	
With long dozer	kg (lb)	-15 (33)	

Note: operating weight to ISO 6016 including cab, rubber tracks, 1400mm dipper, short dozer, 610mm bucket, full tanks and 75kg operator.

